

LINN DISKREET

In-wall and In-ceiling Loudspeakers

The Diskreet in-wall loudspeaker is a high performance, symmetrical dispersion, general purpose, compact, versatile and easy-to-install in-wall or in-ceiling component.

You can now specify Linn Diskreet speakers for multi-room installations. It offers multi-room customers a more complete choice of Linn components with no compromise sound quality. Customers who love these speakers will also generate more referral business.

The Diskreet complements other products in the Linn Knekt system and lives up to the expectations generated by the Knekt keypad with Linn high quality sound.

The Diskreet speakers are robust and reliable with good sound for a very wide range of discreet applications.

Paintable grilles allow Diskreets to blend with any decor and, with effective resistance to all but the more extreme levels of moisture, heat & humidity, they are perfectly suited for kitchens & bathrooms (but not suitable for saunas or similar such applications).



The Diskreet works well into open cavities, but can also be used with a back sealed box enclosure (use Sekrit backbox).



Better Linn sound, more Linn content and more one-stop shopping for the installer.

The Diskreet in-wall speaker system now creates the potential to complete multi-room jobs to a higher standard than ever with the simple, complete logistics, service and after sales supply of a single, reliable and proven, high quality supplier who is committed to supporting specialist custom installation expertise and back-up. Now and in the future, with more enduser and installer choice the Knekt range of in-wall/in-ceiling speakers can thrill your customers even more.

Key Features

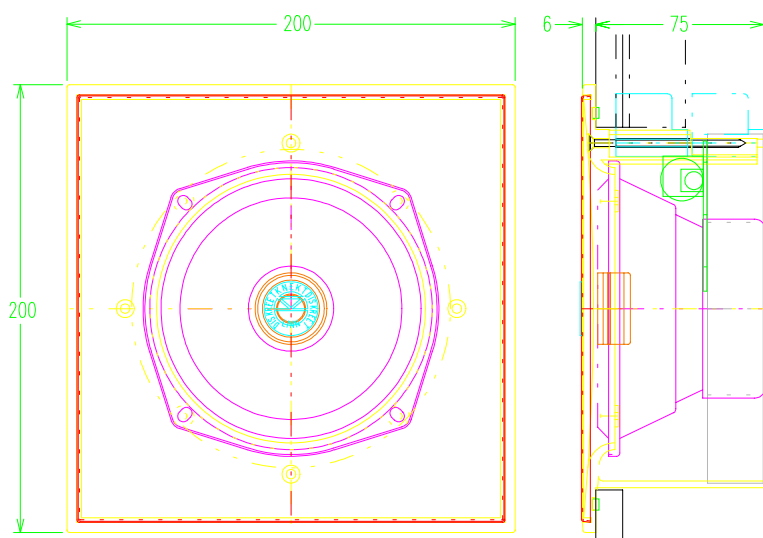
- ◆ in-wall or in-ceiling loudspeaker
- ◆ paintable
- ◆ round or square grille
- ◆ considerable resistance to moisture, heat and humidity

Orders can be placed now with your local account manager. For details on condition of sale or products that will apply in Europe, USA/Canada, Far East and Rest of the World please contact your account manager.



LINN DISKREET

Technical Specifications and Installation



Dimensions

- ◆ **FRONT BAFFLE overall:**
200mm diameter/200mm square
- ◆ **Installation HOLE size:**
162/163mm diameter (BOTH versions)
- ◆ **Installation DEPTH into wall cavity:**
75mm
- ◆ **Baffle THICKNESS/protrusion:** 6mm
- ◆ **PANEL thickness/CLAMP range:** 7 - 40mm
- ◆ **Optimum enclosure volume** 2 litres

Specifications

Impedance: 8 Ohms

Power: 30W

Frequency Response: 80Hz-20kHz +/- 3dB

Efficiency: 86dB/W @ 1m @ 1kHz

Installation

1. Attach the supplied TEMPLATES to the wall using small pieces of sticky-tape. CHECK dimensions from floor / ceiling / walls to ensure symmetry of position. MARK through the slots in the template the hole cut-out size onto the wall/ceiling. Remove the templates.
2. Using a panel saw / jig-saw / router, CUT the round holes in the wall/ceiling panel to the required size.
3. Attach the speaker CABLES to the screw terminals.
4. Push the DISKREET speaker into the wall/ceiling aperture and TIGHTEN the four screws progressively. As each screw is tightened, initially the mounting clamp swings out into position through 90 degrees. As the screw is tightened further, the clamp starts closing down to grip the wall/ceiling panel and rigidly secure the speaker.
5. With the square version only, before the clamps are completely tight, place a spirit level across the top edge to ensure it is HORIZONTAL.
6. Push the GRILLE with the INNER FOAM LINER securely into place.
7. If required, stick the self-adhesive BADGE into place using the positioning template provided.
8. If the DISKREET requires to be PAINTED, either before or after installation into the wall, fit the plastic PAINT MASK into position instead of the grille. This will protect the drive units from paint. Remove the paint mask when the paint is dry.

- ◆ ROUND and SQUARE versions available.
- ◆ Suitable for WALL or CEILING installation.
- ◆ WHITE finish easily OVERPAINTED to match room decor.
- ◆ Supplied packed in PAIRS.
- ◆ Self-adhesive BADGE.
- ◆ TEMPLATE for marking installation cut-out, and badge positioning supplied.
- ◆ PAINTMASK for protection when overpainting.
- ◆ MANUAL fully illustrated and multi-lingual.
- ◆ No additional MOUNTING FRAME required.
- ◆ Fixed to the wall by x4 integral CLAMPS.

- ◆ PROTECTED from rear dirt or debris ingress.
- ◆ SINGLE-WIRING via 4mm² /K20 cable.
- ◆ Full 2nd order network CROSSOVER.
- ◆ Tough woven glass-fibre cone 5.25" WOOFER.
- ◆ Dual-concentric TWEETER for symmetrical sound radiating pattern.
- ◆ FLAME RETARDANT to UL94V0 spec.

