

LINN KAN II
O W N E R S M A N U A L

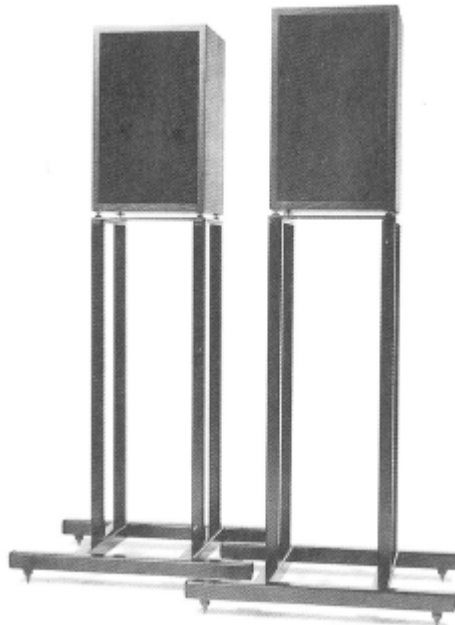
M

MUSIC is most important, because it is essential for human wellbeing.

At Linn we devote our energy to improving standards of music reproduction, because we know that the better the sound the more you'll enjoy music at home.

The addition of any Linn component will improve the sound quality of your system. Linn has a policy of continuously improving its equipment allowing customers to retro-fit most product upgrades.

The Kan II loudspeakers, the result of extensive design and development work, set new standards of performance in loudspeakers of this type.



INSTALLATION When removing the loudspeakers from their boxes, lift the cabinets out by their sides. This will avoid possible damage to the grilles and drive units.

Please retain all packing for possible future transportation.

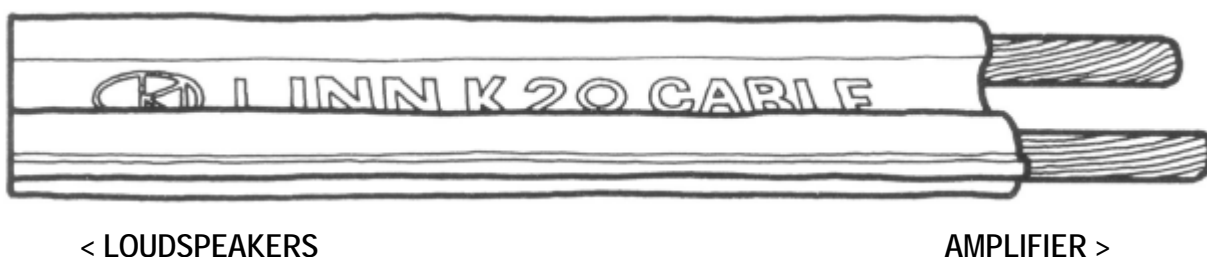
STANDS

All loudspeakers perform best when rigidly mounted. To achieve this, Linn have designed a stand for the KAN II, which includes stabilising floor and top plate, spikes. These stands give optimum sound quality and ensure that the drive units are correctly positioned for the listener.

CONNECTIONS

Connection of the loudspeakers to the amplifier should be made with a good quality cable. Linn K20 loudspeaker cable is ideal. The leads should be terminated with the connectors supplied to ensure optimum performance. The use of other connectors will degrade the sound quality of your system.

The cable is marked with the Linn symbol to indicate directionality. The bare wires shown should be connected to the amplifier and the end indicated with the circular logo should be connected to the loudspeakers.



Take care to ensure that the wiring is correct. The red socket is positive and the black is negative. The positive wire (red connector) is identified by a rib along the side of the cable.

POSITIONING

KAN II speakers are designed to perform best when placed close to a wall. Ideally the rear of the loudspeaker should be between 5 - 10cm from the wall and at least 45cm from any corner.

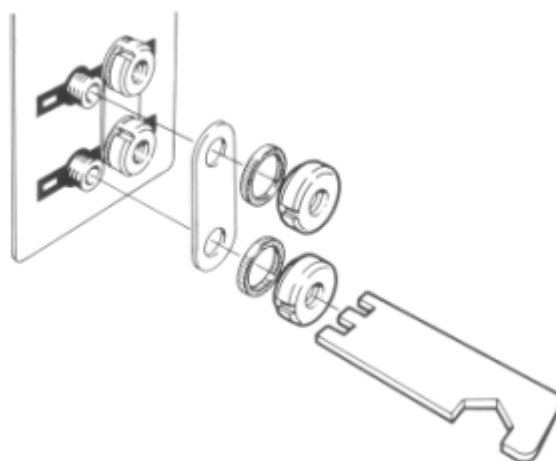
These are general guidelines and a little experimentation with positioning will optimise results for a particular room. Your dealer will be pleased to do this when he installs your equipment.

BI-WIRING

By using a separate cable for the bass and treble section some interaction between the bass and treble section is removed. The extra cost of an additional pair of loudspeaker cables is more than justified by the improvement in sound quality.

Your local Linn Dealer can supply Linn pre-made 5m or 10m bi-wired K20 speaker leads, or make up other lengths as necessary and set up your loudspeakers.

To convert the KAN II to single wire mode, use the key provided to unscrew the negative (black) socket caps and fit the link. Replace and tighten the caps and then repeat for the positive (red) sockets and firmly re-tighten.



BI-AMPING

For ultimate performance you can go one step beyond bi-wiring and use two amplifiers, one channel for the bass and one channel for the treble. Your dealer will be pleased to effect this mode of operation for you.

MAINTENANCE/SERVICE

The KAN II loudspeaker requires no internal maintenance and on no account should you try to remove either the grille or the drive units, which are carefully tightened and sealed at the factory.

For servicing, always return the speakers as a pair to your supplier, using the original packing in order to reduce the risk of damage in transit.

If you have lost the packaging, your supplier can provide a replacement set.

GUARANTEE

This product is guaranteed under the conditions that apply in the country of purchase.

In addition to any statutory rights the customer may have, we undertake to replace any parts, which have failed due to faulty manufacture. To help us please return your completed registration card to Linn or your national distributor.

This will enable you to receive the Linn Record Newsletter, containing information on merchandise, the Linn Selekt record scheme and new developments at Linn.

WARNING Refer all enquiries to authorised dealers only. Unauthorised servicing or dismantling of the product invalidates the manufacturer's warranty.

If you are in any doubt, please contact your nearest Linn dealer. For information on your nearest dealer, contact the Linn factory in Scotland or your national distributor.

IMPORTANT

1. Please keep a copy of the sales receipt to establish the purchase date of the product.
2. Please ensure that your equipment is insured by you during any transit or shipment for repair.

LINN PRODUCTS LIMITED, FLOORS ROAD, WATERFOOT, EAGLESHAM,
GLASGOW G76 OEP, SCOTLAND.
TELEPHONE: ++44(0)141 307 7777
FACSIMILE: ++44(0)141 644 4262