



LINN

English

Français

Deutsch

Español

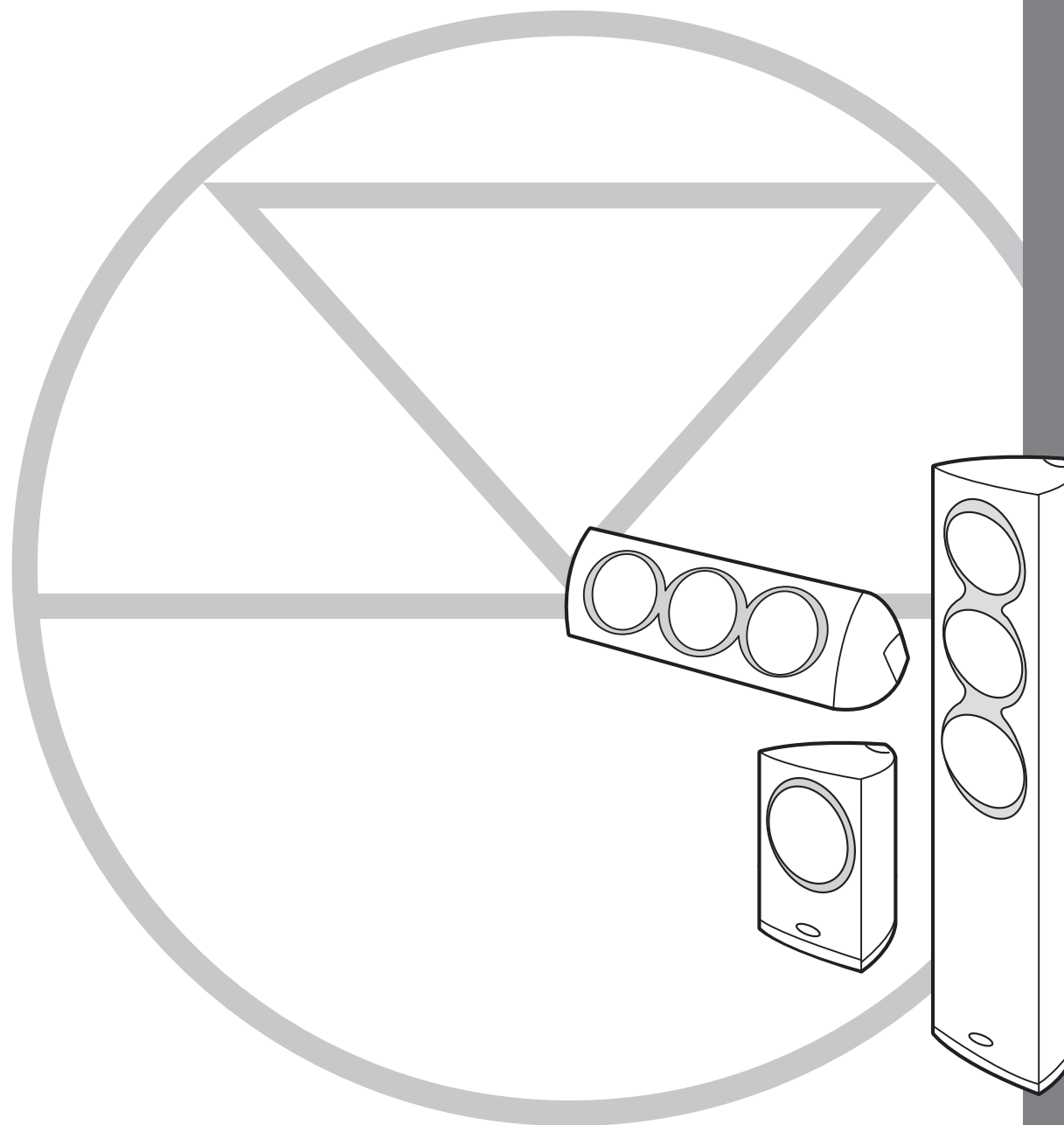
Italiano

Nederlands

日本語

**KOMPONENT
110, 106, 104**

OWNER'S MANUAL



Copyright and Acknowledgements

Copyright © 2004 Linn Products Ltd. First edition December 2004.

Linn Products Limited, Glasgow Road, Waterfoot, Eaglesham, Glasgow, G76 0EQ,
Scotland, United Kingdom

All rights reserved. No part of this publication may be reproduced, stored in a retrieval system, or transmitted, in any form or by any means, electronic, mechanical, photocopying, recording, or otherwise, without the prior written permission of the publisher.

Trade marks used in this publication: **Linn** and the **Linn logo** are registered trade marks of Linn Products Limited. **KOMPONENT, CLASSIK, UNIDISK, SEKRET** and **AKTIV** are trade marks of Linn Products Limited.

The information in this manual is furnished for informational use only, is subject to change without notice, and should not be construed as a commitment by Linn Products Limited. Linn Products Limited assumes no responsibility or liability for any errors or inaccuracies that may appear in this manual.

Part No. PACK 1014

Introduction

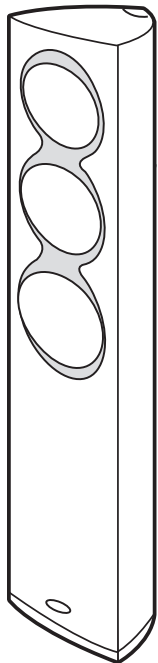
KOMPONENT is a revelation in loudspeaker design. Delivering an authentic playback experience, KOMPONENT combines astounding performance with its own contemporary style designed to complement your living environment.

Whether your passion is for music or movies, KOMPONENT effortlessly handles the audio. All loudspeakers in the system have been designed to be free-standing or installed on a wall, e.g. alongside a flat-screen TV.

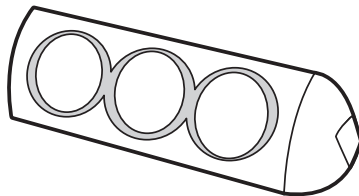
It is recommended that KOMPONENT is partnered with a Linn disc player, such as CLASSIK Movie Di or one of our UNIDISK universal disc players, for an optimised home theatre experience.

The KOMPONENT System

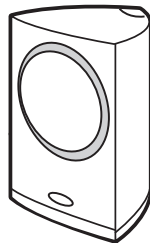
KOMPONENT 110



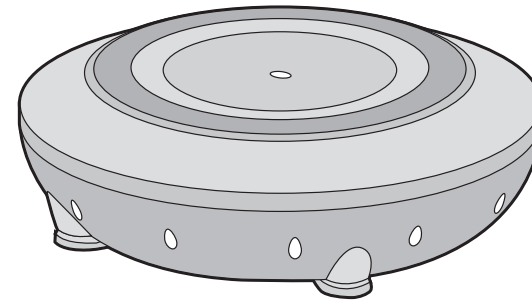
**KOMPONENT 106
Centre**



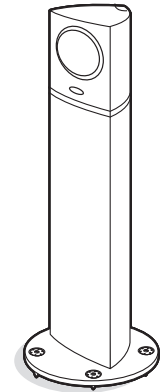
KOMPONENT 104



**KOMPONENT 120
Bass Extension Loudspeaker**



Specially designed floor-stands are also available to provide the KOMPONENT 104 loudspeakers with stylish and rigid support.



Unpacking

Each **KOMPONENT 110** loudspeaker is supplied with the following accessories:

- loudspeaker base kit (in separate box)
- 2 loudspeaker plugs
- 3 mm hex key
- stand assembly / input terminal tool
- 2 wall-mounting brackets
- 2 bracket covers with cutout for bracket fitting
- detachable fabric grille
- set of floor protectors
- warranty card
- this manual
- base kit assembly instructions
- wall bracket assembly instructions

Each **KOMPONENT 106** loudspeaker is supplied with the following accessories:

- 2 loudspeaker plugs
- 3 mm hex key
- wall-mounting bracket
- 2 bracket covers with cutout for bracket fitting
- floor/shelf-mounting adaptor (for wall-mounting bracket)
- detachable fabric grille
- warranty card
- this manual
- wall bracket assembly instructions
- floor stand assembly instructions
- magnetic badge for fabric grille

Each **KOMPONENT 104** loudspeaker is supplied with the following accessories:

- 2 loudspeaker plugs
- 3 mm hex key
- wall-mounting bracket
- 2 bracket covers with cutout for bracket fitting
- detachable fabric grille
- warranty card
- this manual
- wall bracket assembly instructions
- 4 rubber feet

We recommend that you retain the packaging in case you need to transport your loudspeaker(s) at a later date.

Specially designed floor-stands are also available to provide the **KOMPONENT 104** loudspeakers with stylish and rigid support.

Fabric grilles

The **KOMPONENT 110**, **106** and **104** loudspeakers are supplied with fabric grilles. The grilles are held in place by **SEKRIT-Fasteners** (shielded magnets hidden within the cabinets). Grilles can easily be removed by sliding them downwards (away from the magnets) and gently pulling them towards you.

Cleaning

Remove dust and fingerprints from the cabinets with a soft, dry, lint-free cloth. Avoid using domestic cleaning products as they may damage the loudspeaker. The grilles should be removed from the cabinets and cleaned carefully with a soft brush.

Installation

For full details, see the *Advanced Features* manual, which can be found on the Linn website at www.linn.co.uk. Alternatively, contact your Linn retailer or the Linn Helpline (Helpline details are listed at the back of this manual).

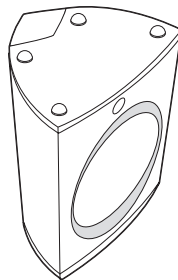
For best results, we recommend that your KOMPLEMENT loudspeakers are unpacked, installed and adjusted by an Authorised Linn Retailer.

Positioning

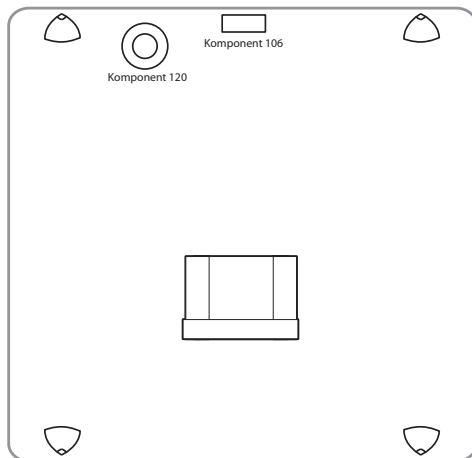
The KOMPLEMENT loudspeakers can be stand-mounted, wall-mounted or (in the case of the satellite and centre models) shelf mounted.

If you wish to use the KOMPLEMENT 104 free standing, attach the supplied rubber feet as shown.

See also the KOMPLEMENT stand / bracket assembly manuals, supplied with the stands / bracket kits - also available on the Linn website at www.linn.co.uk.



5.1 system suggested speaker positioning



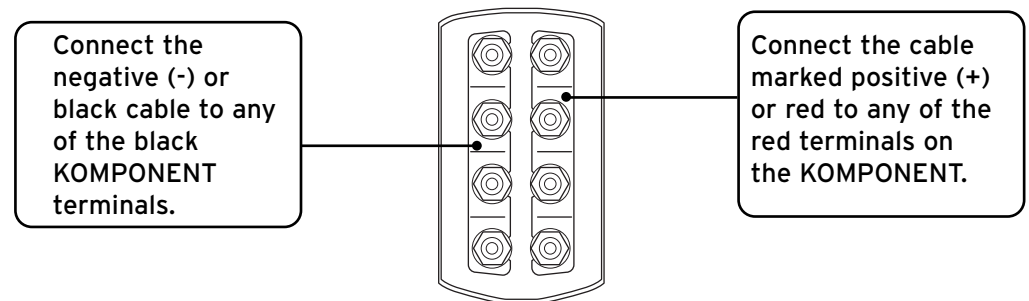
Connecting

General

IMPORTANT. Before making any connections, switch off all products in your hi-fi or AV system.

The terminals are hidden under a removable cover. To access the terminals, unclip the cover by carefully pushing its edges inwards. If your connection and cable-routing method allow, the terminal cover can sometimes be refitted after making the connections.

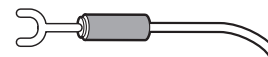
Standard connection (Single-wiring)



Terminals

The binding-post terminals can be used as sockets for the connection of 4mm banana plugs or can be used as binding posts for the connection of bare wires or spade-terminated cables by loosening the outer section of the binding post (do not attempt to completely remove this outer section), inserting the cable or terminal and re-tightening to clamp it in place.

Spade-terminated Cable



Bared Wire Connection



Banana Plug



Cable-routing

In the case of the KOMPONENT 110 and KOMPONENT 104 (where stand is fitted), the cable(s) can be routed through a duct inside the stand to provide an invisible connection if so desired. See stand fitting instructions, supplied with the stands.

Note:

Fit the stand before passing the cable through the duct.

Advanced configuration options

A number of additional configuration options are available, as listed below, which will enhance the performance of your KOMPONENT loudspeakers. For full details, see the *Advanced Features* manual, which can be found on the Linn website at www.linn.co.uk. Alternatively, contact your Linn retailer or the Linn Helpline (Helpline details are listed at the back of this manual).

Passive multi-wiring (bi-wire, tri-wire or quad-wire)

A single amplifier channel connects to a loudspeaker using two, three or four cables (note - quad-wiring is not available for KOMPONENT 104).

Passive multi-amping (bi-amp, tri-amp or quad-amp)

Two, three or four amplifier channels connect to a loudspeaker (note - quad-amping is not available for KOMPONENT 104).

AKTIV operation

The term 'AKTIV' refers to the proprietary Linn active crossovers and loudspeaker configuration, whereby the loudspeaker's internal passive crossover is effectively replaced with external AKTIV crossovers. This exerts a much greater degree of control over the processing of the audio signal, providing a more precise audio output to the drive units and therefore resulting in significantly improved sonic performance, compared with passive operation.

Important note:

AKTIV operation requires a modification to your loudspeakers and in some cases, your amplifiers, which must be carried out by an authorised Linn Retailer.

Guarantee and Service

This product is guaranteed under the conditions which apply in the country of purchase and your statutory rights are not limited. In addition to any statutory rights you may have, Linn undertake to replace any parts which have failed due to faulty manufacture. To help us, please ask your Linn retailer about the Linn warranty scheme in operation in your country.

In parts of Europe, the United States of America and some other markets, extended warranty may be available to customers who register their purchase with Linn. A warranty registration card is included with the product and should be stamped by your retailer and returned to Linn as soon as possible. Alternatively, you can register your warranty online at www.linn.co.uk

Warning

Unauthorised servicing or dismantling of the product invalidates the manufacturer's warranty. There are no user serviceable parts inside the product and all enquiries relating to product servicing should be referred to authorised retailers only.

Technical support and information

For technical support, product queries and information, please contact either your local retailer or one of the Linn offices opposite.

Full details of your local retailer/distributor can be found on the Linn web site: www.linn.co.uk

Important

- Please keep a copy of the sales receipt to establish the purchase date of the product.
- Please ensure that your equipment is insured by you during any transit or shipment for repair.

Linn Products Limited

Glasgow Road
Waterfoot
Eaglesham
Glasgow G76 0EQ
Scotland, UK

Phone: +44 (0)141 307 7777
Fax: +44 (0)141 644 4262
Helpline: 0500 888909
Email: helpline@linn.co.uk
Website: www.linn.co.uk

Linn Incorporated

8787 Perimeter Park Boulevard
Jacksonville
FL 32216
USA

Phone: +1 (904) 645 5242
Fax: +1 (904) 645 7275
Helpline: 888-671-LINN
Email: helpline@linninc.com
Website: www.linninc.com

Linn Deutschland GmbH

Albert-Einstein-Ring 19
22761 Hamburg
Deutschland

Phone: +49-(0) 40-890 660-0
Fax: +49-(0) 40-890 660-29
Email: info@linngmbh.de
Website: www.linn.co.uk

