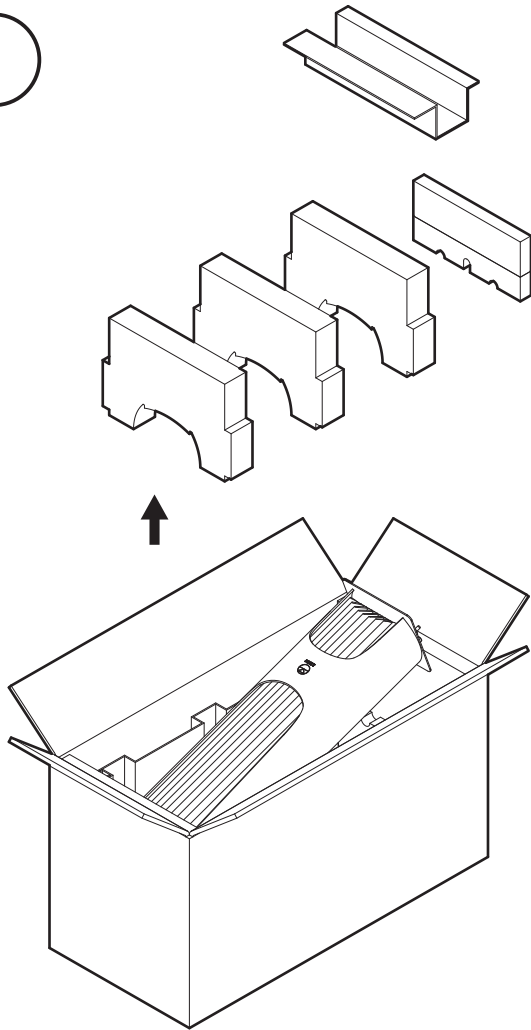



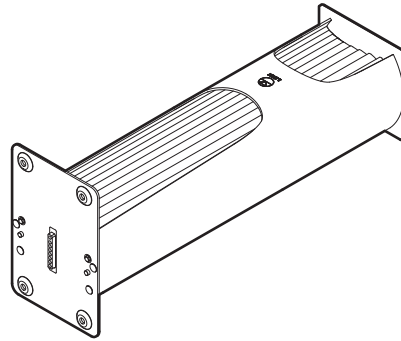
EXAKT AKUDORIK ASSEMBLY GUIDE


1



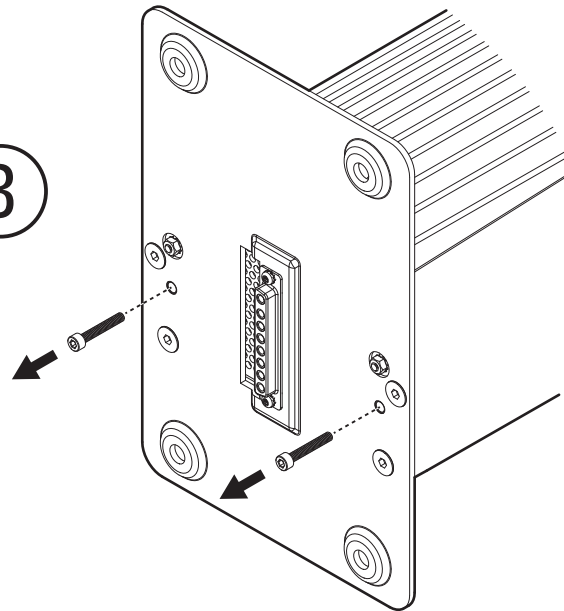
 UNWRAP PROTECTIVE LINER
BEFORE LIFTING MODULE


2



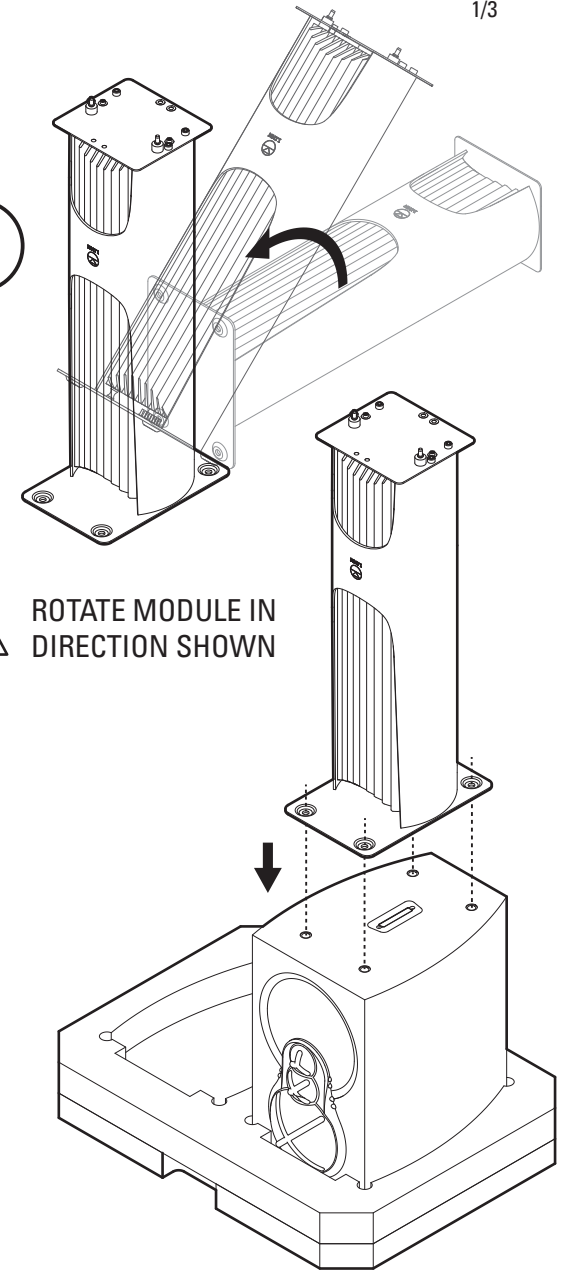
 PLACE MODULE THIS WAY UP
PROTECT FLOOR SURFACE IF NECESSARY

3




 TOP TRANSIT SCREWS x 2
M4 x 25.0mm
SILVER

4



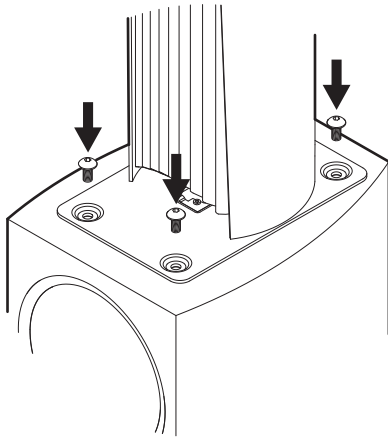
 ROTATE MODULE IN
DIRECTION SHOWN

 ENSURE SPEAKER IS PLACED IN END CAP
IN ITS BAG TO PROTECT TOP SURFACE

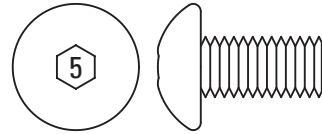


EXAKT AKUDORIK ASSEMBLY GUIDE

5

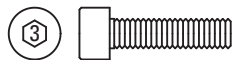
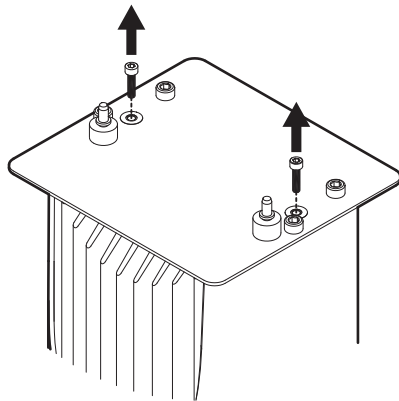


! MAX TORQUE 2.75Nm



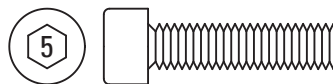
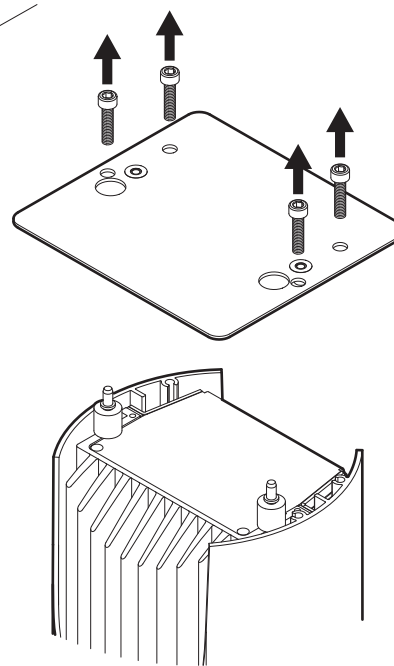
SPEAKER SCREWS x 4
M8 x 16.0mm
BLACK

6



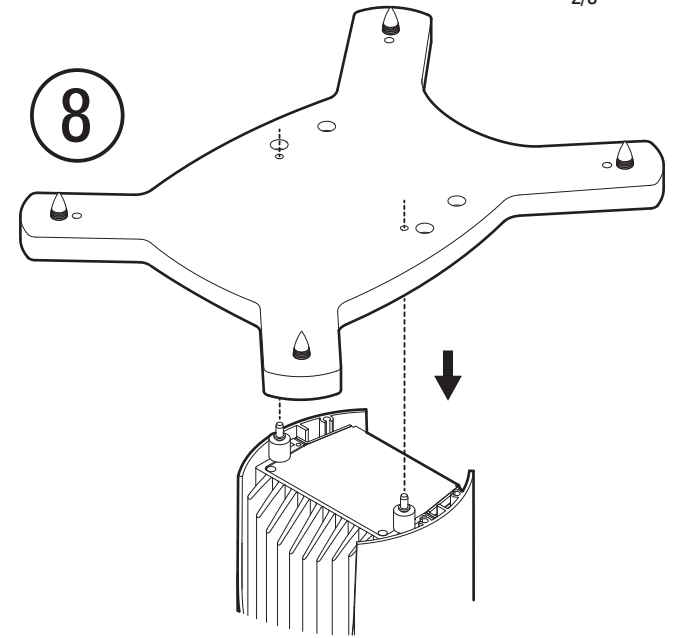
BASE TRANSIT SCREWS x 2
M4 x 20.0mm
SILVER

7

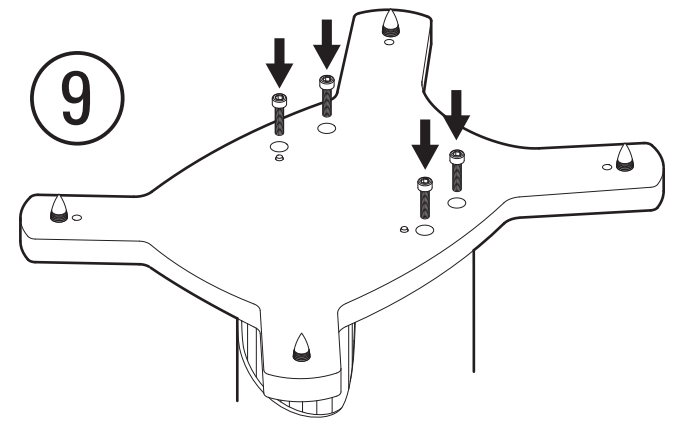


STAND SCREWS x 4
M6 x 25.0mm
BLACK

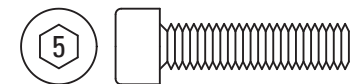
8



9

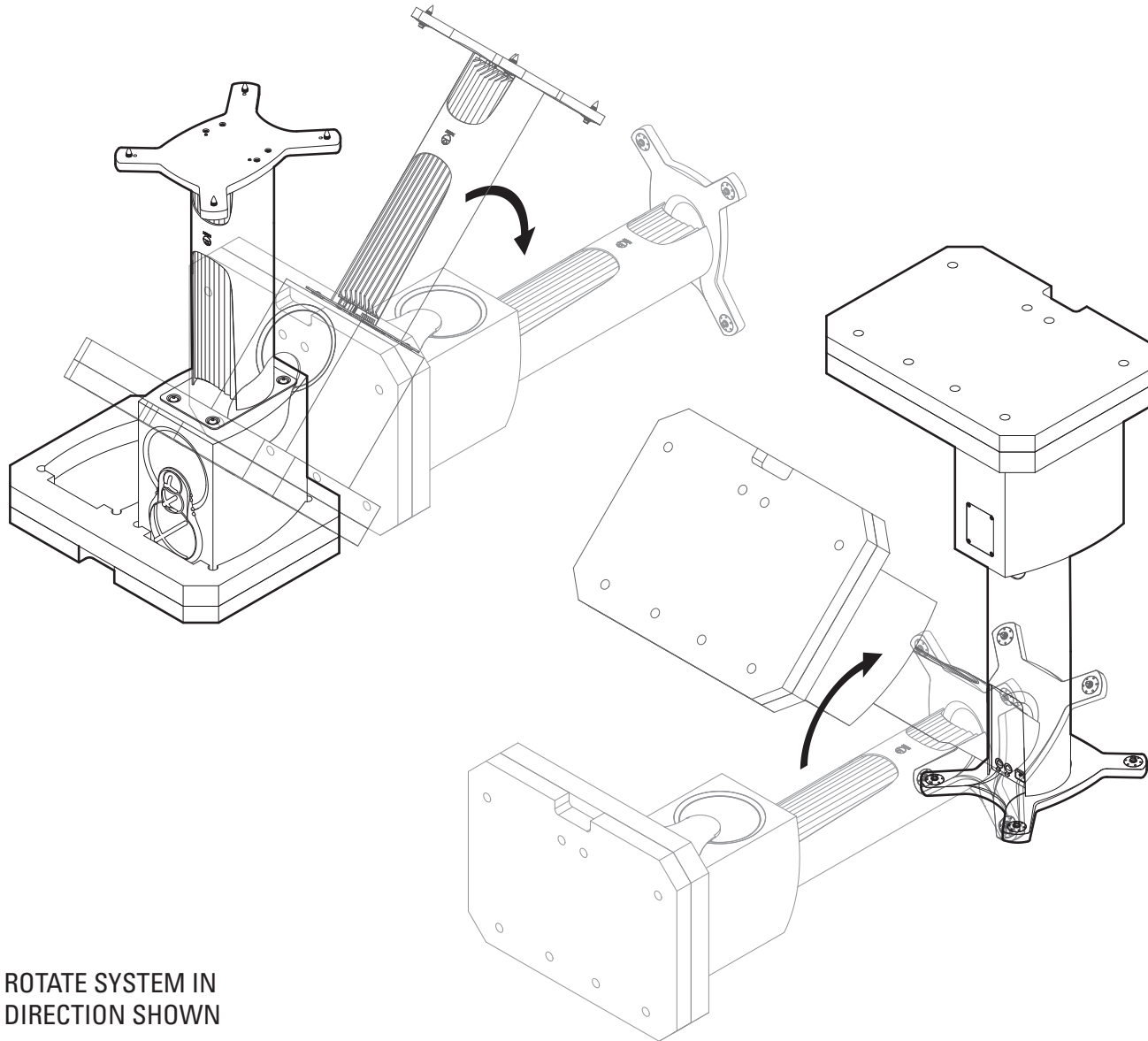


! MAX TORQUE 2.75Nm

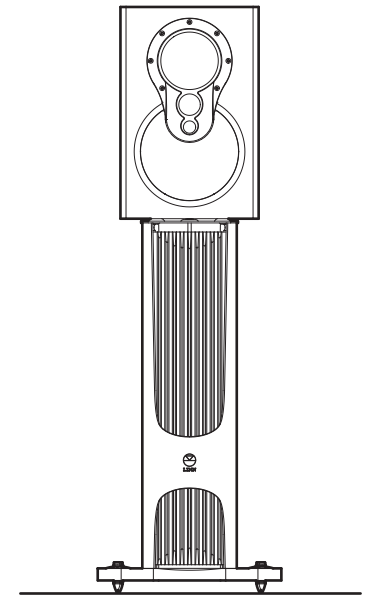




STAND SCREWS x 4
M6 x 25.0mm
BLACK

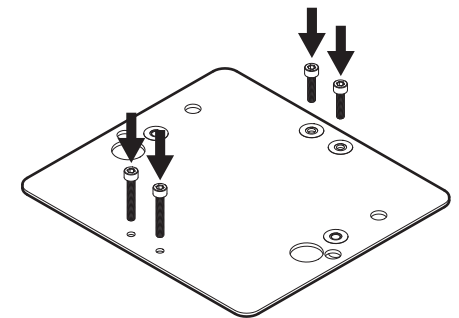
10




 ROTATE SYSTEM IN DIRECTION SHOWN



-  ENSURE SPIKES ARE LEVEL
-  CARE: IF CLEANING OVER BADGE, USE LINT FREE CLOTH GENTLY.



 RETAIN TRANSIT PLATE, TRANSIT SCREWS, AND ALL PACKAGING