

LINN

KEY FEATURES INCLUDE

- Available in two configurations, 10.25 and 12.45
- Suitable for a wide range of custom applications – can be positioned in walls, floors, ceilings or cabinets
- CLASS V 500 Watt modular power amplifier
- High density switchmode power supply
- Digitally controlled signal processing
- 8 user configurable control parameters
- Variable automatic standby on loss of input signal
- Line and speaker level inputs
- Line level outputs for daisy-chaining

The Linn SIZMIK KUSTOM is a fully accessorised bass reinforcement loudspeaker kit for use in custom and marine installations. It is available in two configurations: 10.25 comprising 10" drive unit, and 12.45 with a 12" drive unit, suitable for larger area audio or home theatre applications. The SIZMIK KUSTOM combines clean, pitch accurate low frequency performance with discrete appearance to provide a no-compromise bass extension solution for higher performance installations.

The SIZMIK KUSTOM kit includes Linn's CLASS V modular power amplifier as found in our SIZMIK family of bass reinforcement loudspeakers. It delivers 500 watts of efficient, cool running, noise free power to a choice of 2 long throw drive units, depending on the installation requirement. Digital Signal Processing with user-configurable control parameters enable precise tuning to match both the environment and the dynamic range of the loudspeaker system that the SIZMIK KUSTOM is used to enhance.

The kit also includes mounting panel, trim ring and grill. For best results, an enclosure (not supplied) should be installed to the rear of the drive unit; 27 litre volume for a 10" drive unit and 47 litres for a 12" drive unit.

The versatile design of the Linn SIZMIK KUSTOM enables it to be installed into virtually any flat and rigid surface and is available from Linn dealers and custom installers worldwide.

LINN SIZMIK KUSTOM

SPECIFICATION

Bass reinforcement loudspeaker kit for custom installation



1



2



- 1 Subwoofer Module.
- 2 Panel.
- 3 Drive Unit.

Linn, the Linn logo, SIZMIK are all registered trademarks.

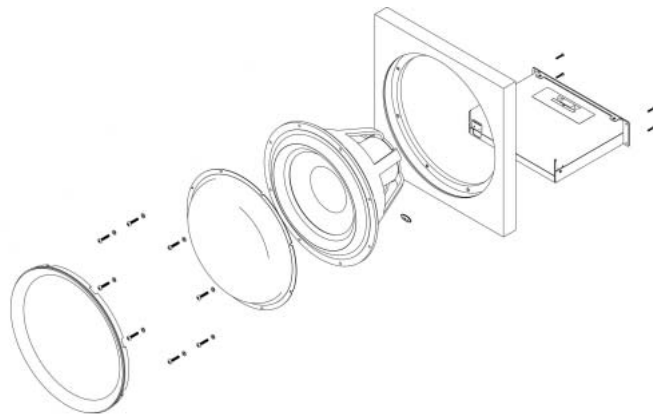
3

LINN SIZMIK KUSTOM

TECHNICAL SPECIFICATION

Bass reinforcement loudspeaker kit for custom installation

Type	Pitch accurate bass reinforcement loudspeaker kit with modular amplification, available in two configurations, 10.25 and 12.45
Drive units	10.25 – 10 inch, paper cone, long throw bass driver 12.45 – 12 inch, paper cone, long throw bass driver
Applications	Audio and A/V bass reinforcement for custom installation
Frequency response	9Hz – 220Hz
Control features	Signal sensing, auto on/off
Parameter adjustment	4 step internal low pass frequency @ 50, 80, 120Hz and flat 9 step internal high pass frequency from 9 @ 220Hz 9 step external high pass frequency from 9 @ 220Hz
Adjustable gain	35dB in 1dB steps, 3 step bass equalisation.
Absolute phase	True or inverted
Variable automatic standby	4 step time out after signal loss @ 5, 10 and 20 seconds or on continuously
Protection	Fully protected against overload, over temperature, full short circuit and overdrive
Mains supply	100Vac – 120Vac @ 50/60Hz, 220Vac – 240Vac @ 50/60Hz
Output power	500 Watts RMS, 1000 Watts peak
Typical heat output	100 Watts
Standby power consumption	6 Watts
Amplifier connections	Line level audio in and loop out-RCA phono Line level high pass output-RCA phono Speaker level – 4mm input connectors 2-pin speaker level output.
Required enclosure volume	10.25 – 27 litres, 12.45 - 47 litres
Panel dimensions -10.25	H 320mm x W 320mm x D 36mm, H 12.6 inches x W 12.6 inches x D 1.4 inches
Panel dimensions - 12.45	H 380mm x W 380mm x D 36mm, H 14.96 inches x W 14.96 inches x D 1.4 inches
10.25 drive unit dimensions	Ø 269mm x D 161mm (to rear of chassis when mounted in panel) Ø 10.6 inches x D 6.3 inches (to rear of chassis when mounted in panel)
12.45 drive unit dimensions	Ø 331mm x D 165.5mm (to rear of chassis when mounted in panel) Ø 13 inches x D 6.5 inches (to rear of chassis when mounted in panel)
Minimum clearance	50mm between rear of chassis and enclosure
Amplifier module dimensions	H 62mm x W 284mm x D 204mm, H 2.4 inches x W 11.2 inches x D 8 inches
Weight - 10.25 drive unit	5 kg/11lbs
Weight - 12.45 drive unit	8 kg/17.6lbs
Weight - amplifier module	2 kg/4.4lbs
Linn Part Nos.	SIZMIK KIT/115 SIZMIK KIT/230 and 1245CUSTOM/115 1245CUSTOM/230



Exploded diagram

Linn Products Limited
Floors Road, Waterfoot, Glasgow G76 0EP, Scotland, UK.
Telephone: +44 (0) 141 307 7777, Facsimile: +44 (0) 141 644 4262, Helpline: 0500 888909, E-mail: helpline@linn.co.uk, Website: www.linn.co.uk

Linn Products Inc
8787 Perimeter Park Boulevard, Jacksonville FL 32216, USA.
Telephone: +1 (904) 645 5242, Facsimile: +1 (904) 645 7275, Helpline: 888-671-LINN, E-mail: helpline@linninc.com, Website: www.linninc.com

Linn Deutschland GmbH
Albert-Einstein-Ring 19, 22761 Hamburg, Deutschland.
Telephone: +49-40-890 660-0, Facsimile: +49-40-890 660-29, Helpline: 0800 8221560, E-mail: info@linn-deutschland.com, Website: www.linn.co.uk

Linn Records Ltd
257 Drakemire Drive, Castlemilk, Glasgow G45 9SZ, Scotland, UK.
Telephone: +44 (0) 141 303 5027, Facsimile: +44 (0) 141 634 0733, Helpline/Mail order: +44 (0) 141 303 5029, E-mail: records@linn.co.uk,
Website: www.linnrecords.com

Pack 832 (11/02)