

LINN

SEKRIT IW10

OVERVIEW

High Performance In-Wall Loudspeaker

KEY FEATURES INCLUDE

- Three-way design with high quality bespoke drive units
- Sealed acoustic enclosure for repeatable high performance, regardless of the wall cavity
- Mountable vertically or horizontally for stereo or LCR applications
- Dome tweeter with DXT lens technology for accurate high frequency performance with wide dispersion
- Horn-loaded mid-range provides excellent clarity
- 6½ inch bass driver and front baffle port provide powerful bass extension
- Can be made fully Aktiv via easy access front panel – no need to remove the speaker from the wall (when already tri-wired)
- White perforated grille can be painted to match any décor
- Pre-installation and retro-fit mounting frames available to fit standard 2 inch by 4 inch stud walls

The Sekrit IW10 in-wall loudspeaker provides a new level of Linn performance from a hidden loudspeaker. Combining Linn's unrivalled musicality with the convenience of a hidden solution, customers can now have the best of both worlds.

The Sekrit IW10 is designed to be installed flush to the wall and comes with a grille that can be painted to match any décor.

Performance is achieved through a combination of very high quality bespoke drive units, class-leading crossover design and a specially reinforced and stiffened cabinet. The sealed enclosure provides consistent performance in any wall cavity, and the mounting system provides acoustic isolation from the wall.

Using a tweeter with DXT lens technology provides wide and even dispersion at high frequencies. This ensures consistent performance throughout the listening area and also provides a great deal of flexibility in positioning the loudspeakers.

Impressive bass response from the 6½ inch woofer and port combination means the Sekrit IW10 can be used full range as a stereo pair. In cinema rooms, or where extra bass is required, it is easy to integrate with sub-woofers or bass reinforcement speakers (such as the Sekrit BR27) using a configuration option that inverts phase and re-sets the bass crossover frequency. A bung is also provided to block off the port in this set-up.

With the tweeter located centrally, the Sekrit IW10 can easily be mounted vertically or horizontally for stereo or LCR applications. Both pre-installation and retro-fit mounting frames to fit a standard two by four inch stud wall are available to buy separately.

The Sekrit IW10 forms part of Linn's Sekrit range of products for custom installation that redefine discreet performance without compromise.



Front ¾ view, grille off



Front and side views, grille on



Top view

SEKRIT IW10

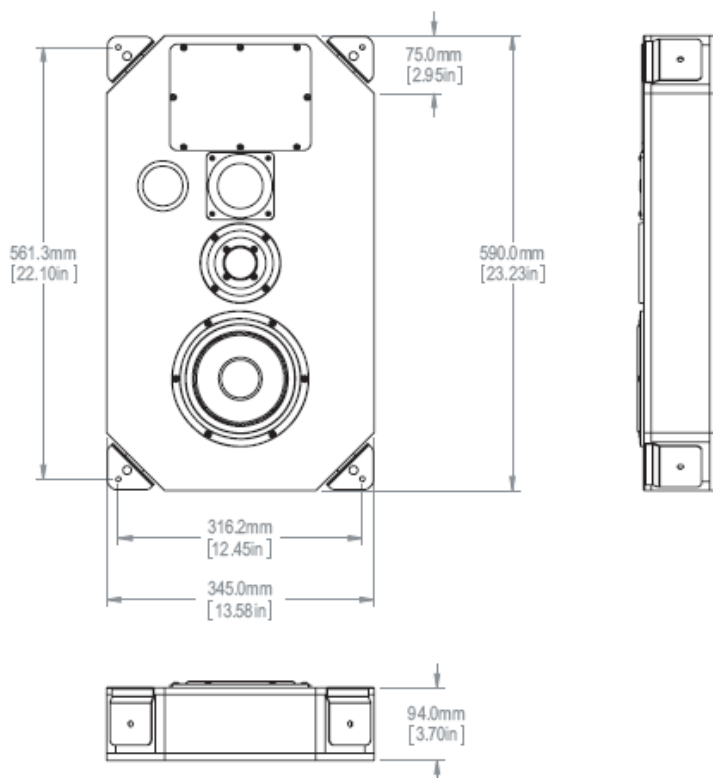
TECHNICAL SPECIFICATIONS

High Performance In-Wall Loudspeaker

Introduced	June 2010
Type	3 way bass reflex, fully enclosed
Frequency response	55 Hz – 20+kHz +/- 3 dB (passive) 50 Hz – 20+kHz +/- 3 dB (Aktiv)
Input impedance	5 ohm (passive) Bass: 5 ohm (Aktiv) Midrange: 4 ohm (Aktiv) Tweeter: 4 ohm (Aktiv)
Sensitivity	89 dB/W/m
Wiring options	Single wire, bi-wire, tri-wire / Aktiv ¹
Drive units	Bass: 6" doped paper cone Midrange: 2" doped silk dome with horn loading Tweeter: 1" aluminium dome with DXT lens
Aktiv cards (optional)	CHAKT89 CHAKT90 CHAKT91
Product dimensions	590 mm (H) x 345 mm (W) x 94 mm (D) 23.23 inches (H) x 12.45 inches (W) x 3.70 inches (D)
Cut-out dimensions (retro-fit installation frame)	600 mm x 355 mm 23.62 inches x 13.98 inches
Mounting depth	94 mm 3.70 inches
Weight	10.7 kg (excluding installation frame and packaging) 23.5 lbs

¹ Aktiv cards and conversion kit available separately

SEKRIT IW10

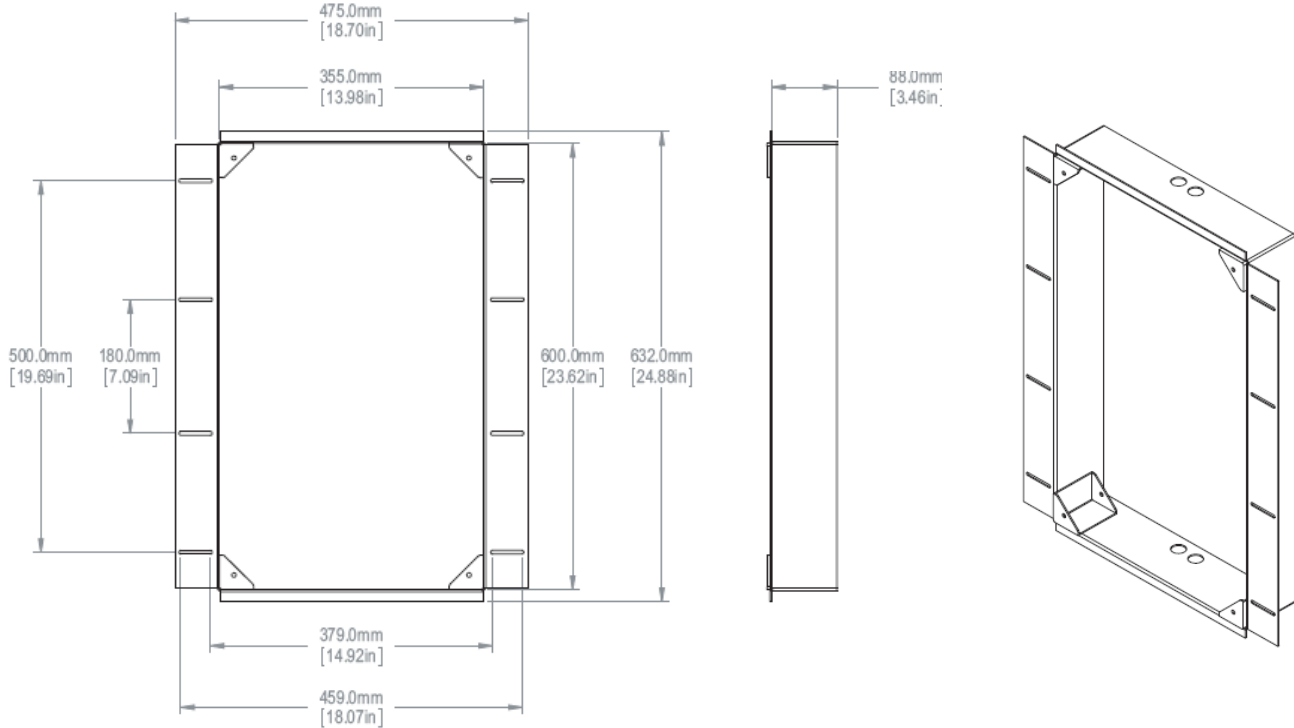


SEKRIT IW10

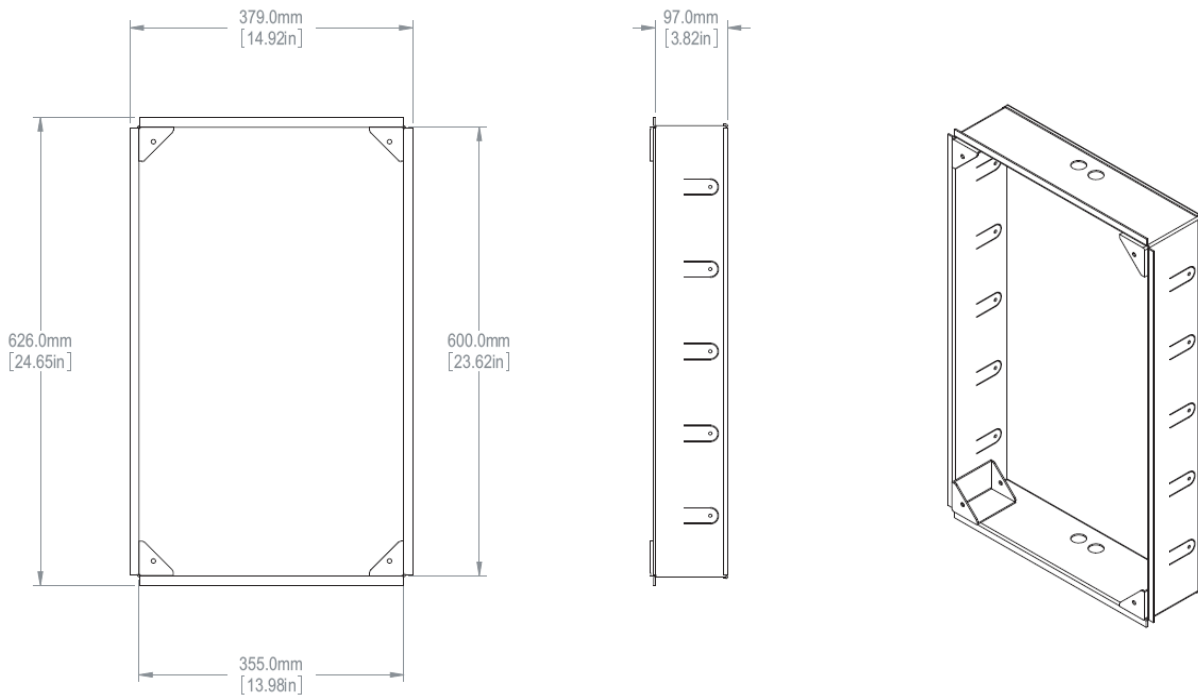
TECHNICAL SPECIFICATIONS

High Performance In-Wall Loudspeaker

PRE-INSTALLATION FRAME



RETRO-INSTALLATION FRAME



Linn Products Limited

Glasgow Road, Waterfoot, Eaglesham, Glasgow G76 0EQ, Scotland, UK.

Telephone: +44 (0) 141 307 7777, Facsimile: +44 (0) 141 644 4262, Helpline: 0500 888909, E-mail: helpline@linn.co.uk, Web: www.linn.co.uk

<http://news.linn.co.uk/custom/products/sekrit-iw10-in-wall-loudspeaker.php>

Copyright © 2010, Linn Products Limited. All rights reserved.

Linn, the Linn logo and all other Linn product names and slogans are trade marks or registered trade marks of Linn Products Limited, registered in at least the UK and/or the EU. Linn Products Limited disclaims any proprietary interest in trade marks and trade names other than its own.